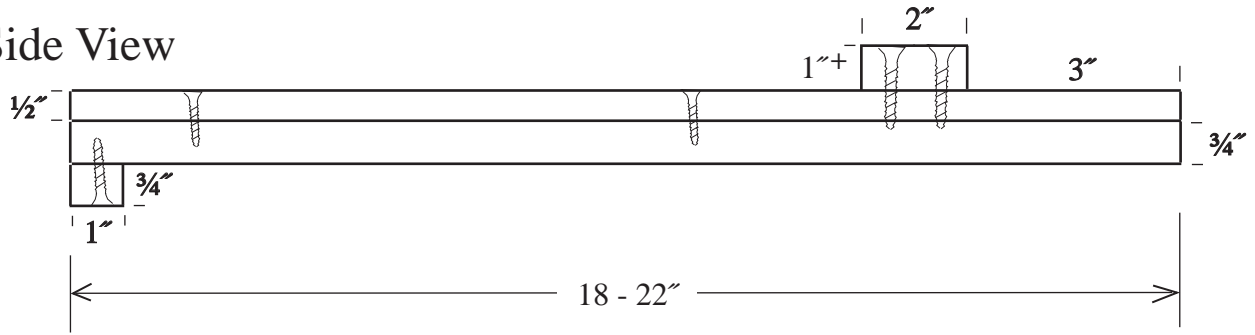
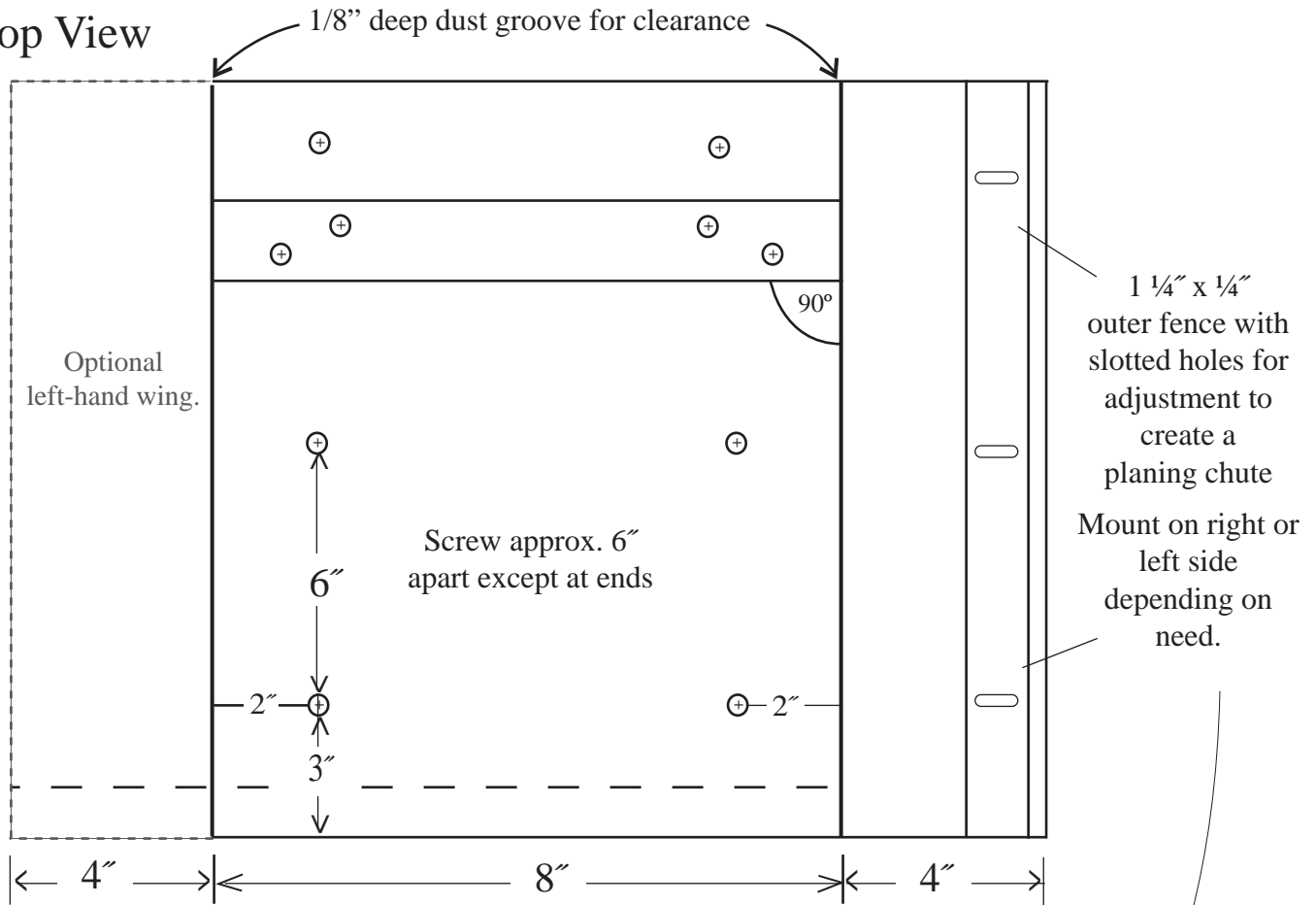


# Shooting Board

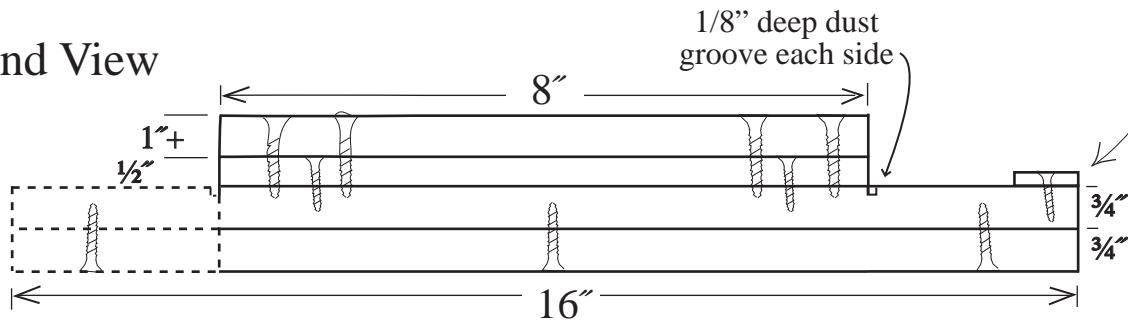
Side View



Top View



End View

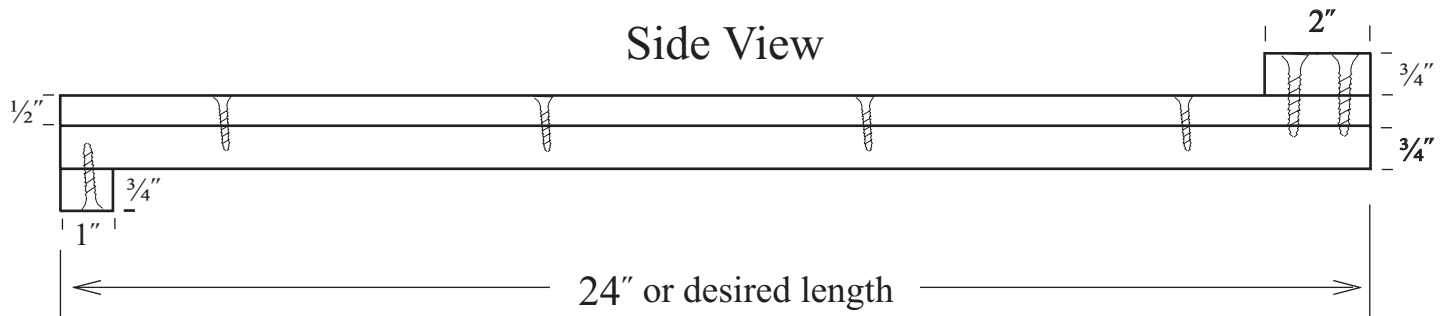


Use MDF for Board & fixtures and Hardwood for stops.  
Glue & Screw parts together.

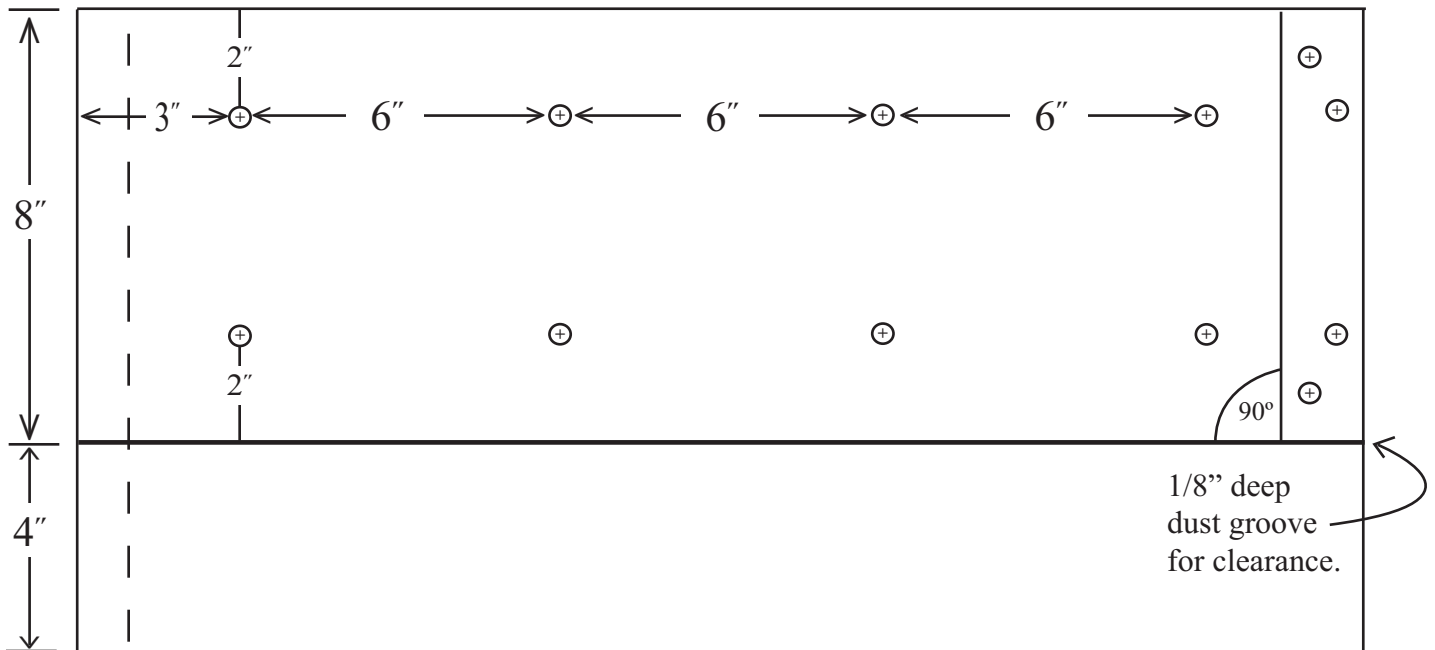
# Edge Shooting Board

(for a left hand version move the 1/2" MDF to right side.)

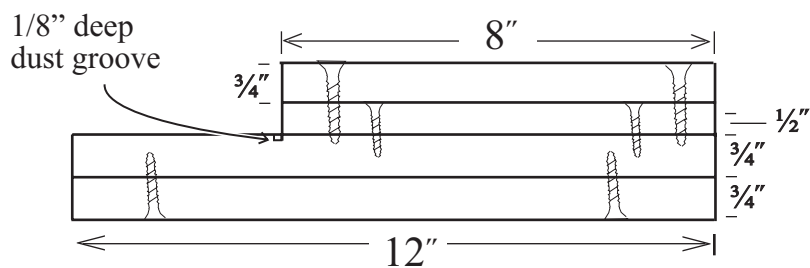
## Side View



## Top View



## Front View

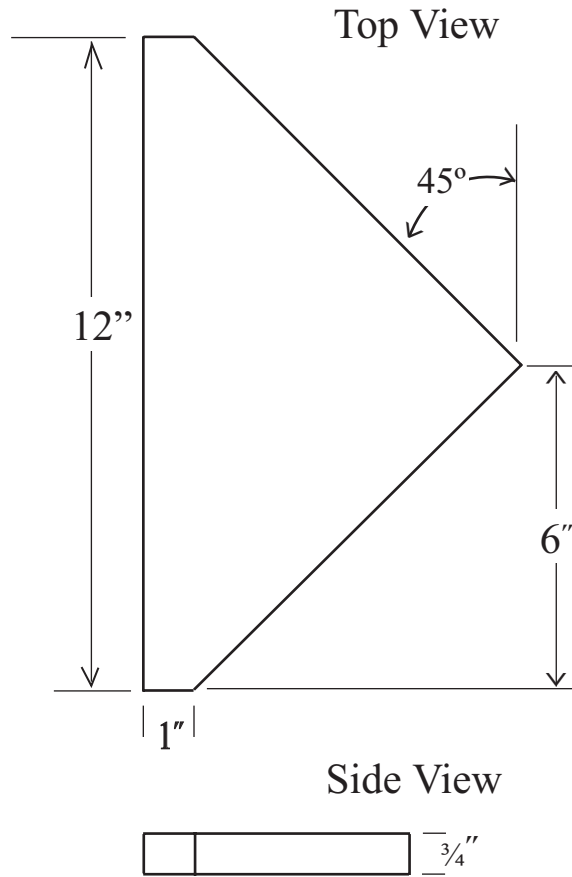


Use MDF for Board & fixtures and Hardwood for stops.

Glue & Screw parts together.

# Shooting Board Fixtures

45° Miter Fixture  
MDF



45° Miter  
'Bird House'  
Fixture  
MDF and Hardwood

