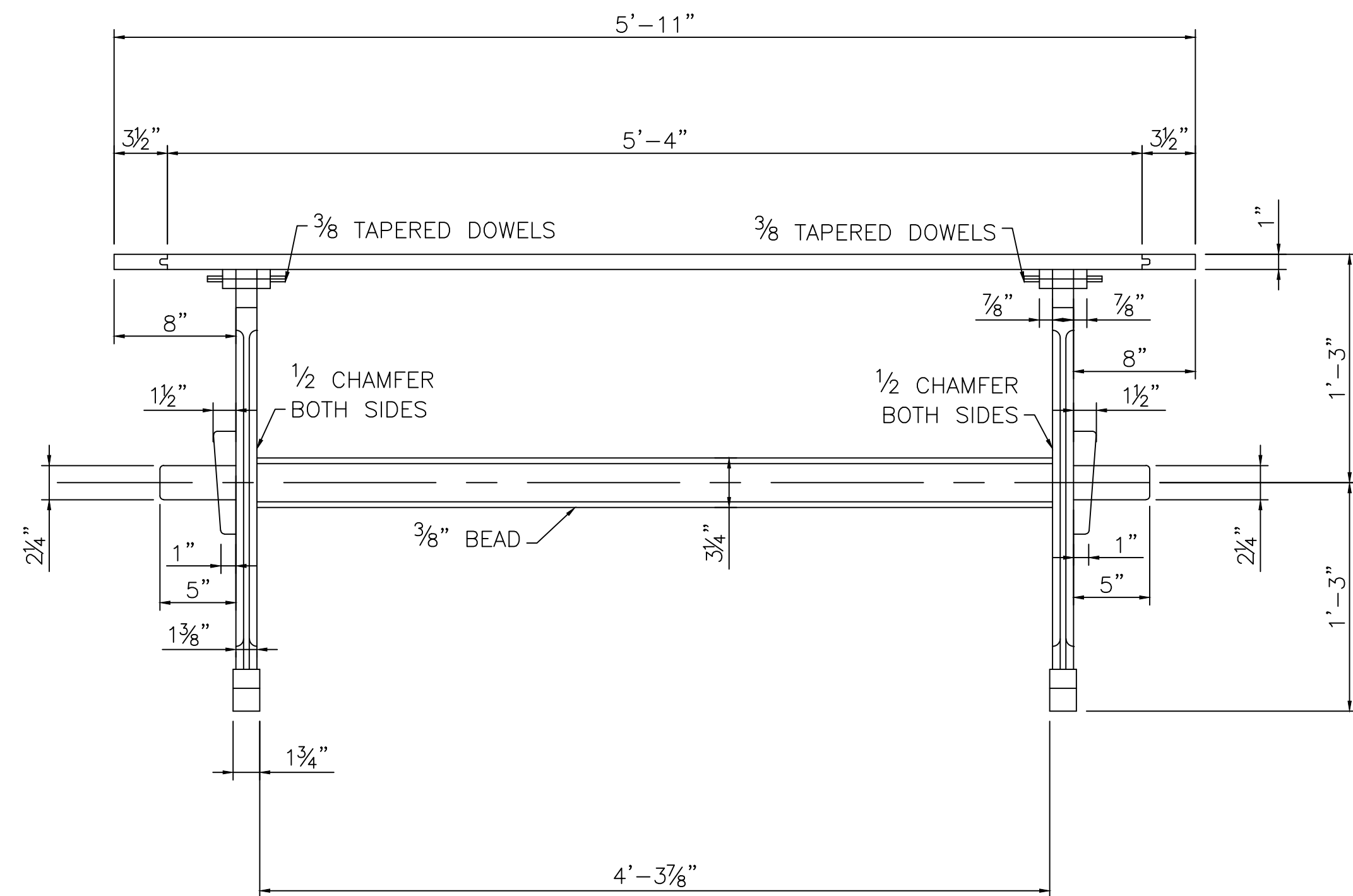
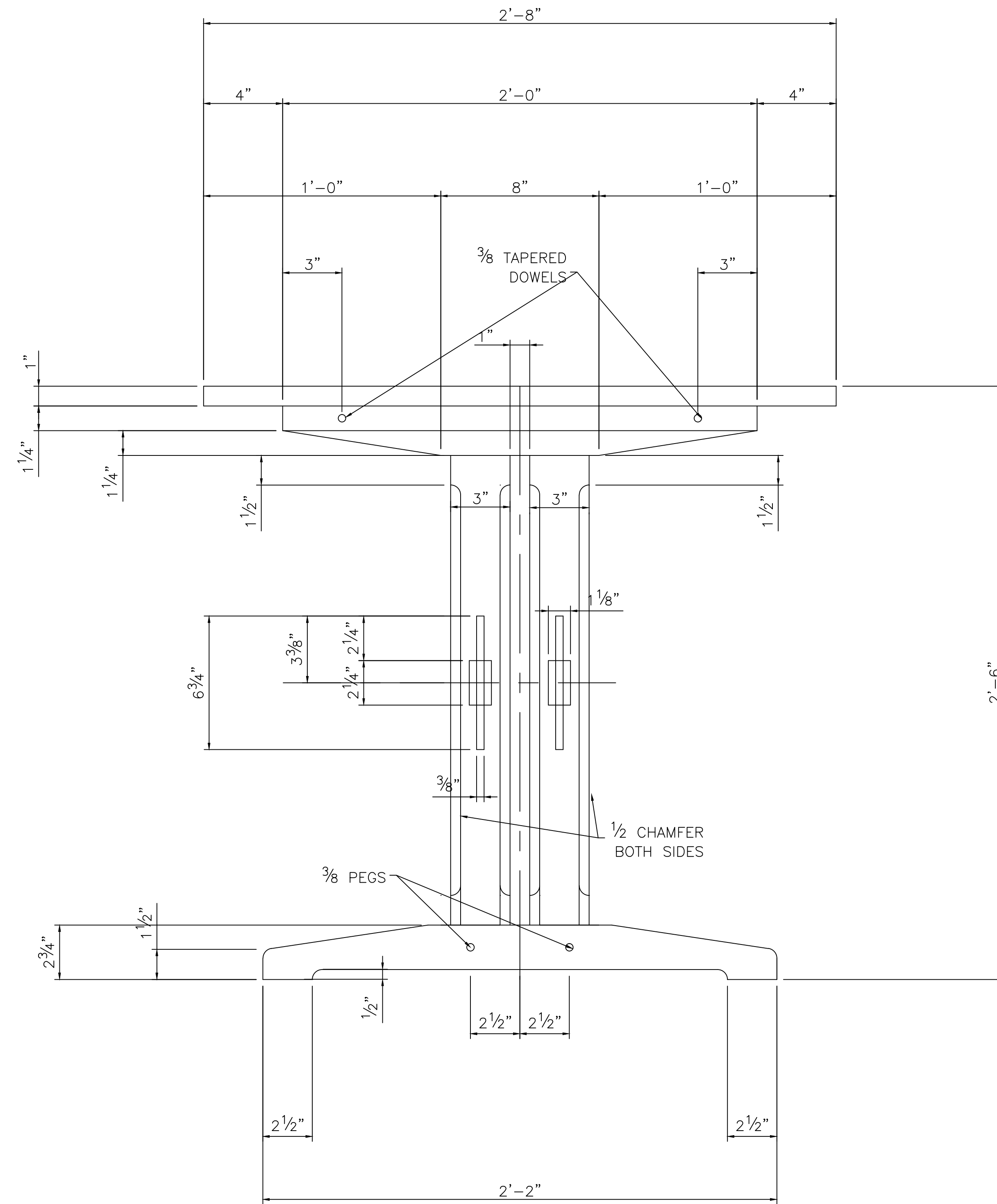


TOP VIEW



FRONT VIEW



SIDE VIEW

PROJECT TRESTLE TABLE
 LOCATION _____
 CUSTOMER WILL MYERS

DRAWN BY: <u>WM</u>	DATE: <u>3/2015</u>	SHEET NO.
DRAWING ISSUED		
DATE	DESCRIPTION	
3/2015		

REV. #	DATE	DESCRIPTION